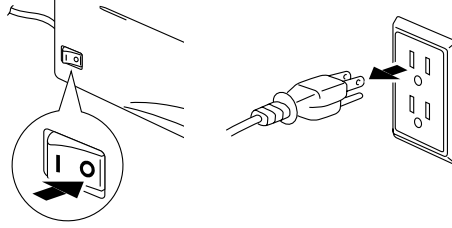
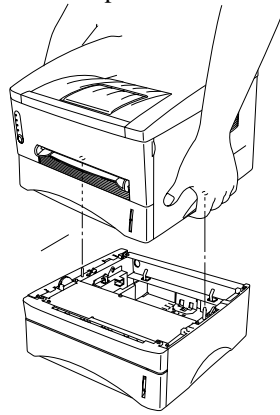


How to install LT-400

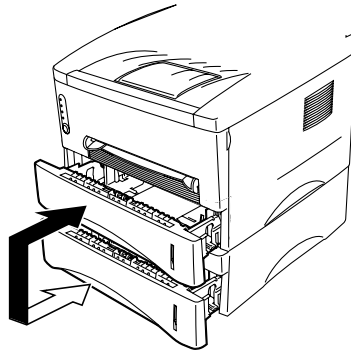
1. Turn off the power switch and unplug the power cord of your machine.



2. Lift the machine carefully with both hands and place it onto the Lower Tray unit.



3. Remove the paper cassette from the lower tray option, and exchange with the cassette already fitted into your machine. Install the cassette with switching the lower cassette and standard cassette. Lower cassette into the machine.



4. Connect the modular cable into the modular jack socket of your machine. Plug in the power cord and turn on the power switch.

