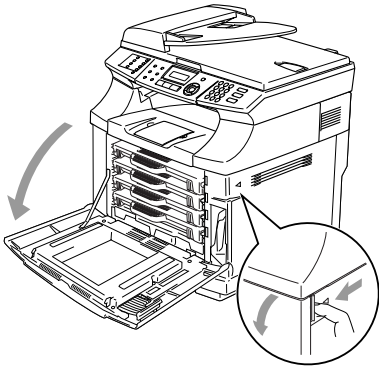


## Replacing the waste toner pack

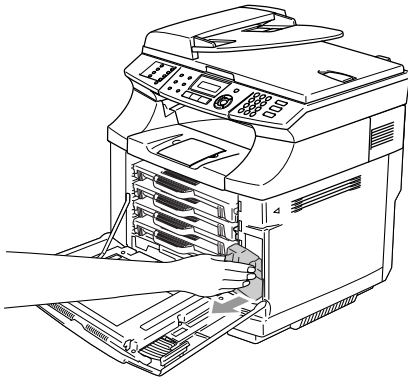
### ! CAUTION

Handle the waste toner pack carefully. If toner scatters on your hands or clothes, immediately wipe or wash it off with cold water.

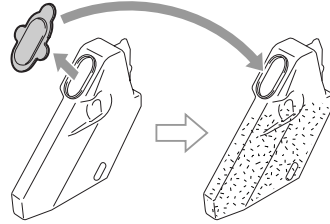
- 1 Open the front cover of the machine.



- 2 Remove the waste toner pack from the holder at the lower right hand side of the machine. Be careful not to spill the toner.



- 3 Take the cap off the new waste toner pack, and put the cap on the used waste toner pack.



### Note

- When you discard the used waste toner pack, place it in the plastic bag included with the replacement waste toner pack.
- Discard the used waste toner pack according to local regulations, keeping it separate from domestic waste. If you have questions, call your local waste disposal office.

- 4 Put the new waste toner pack into the waste toner pack holder.
- 5 Close the front cover.