

## OPC belt cartridge

### Replace OPC belt cartridge message

When the OPC belt cartridge runs out, the following message appears on the LCD. When you see this message, you must replace the OPC belt cartridge:

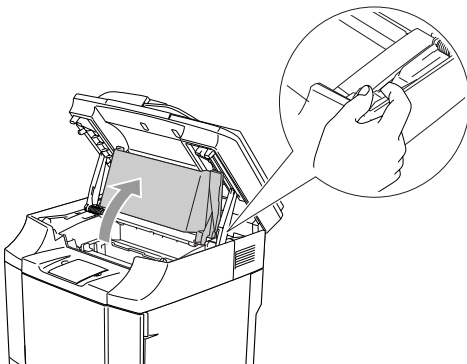
Replace OPC Belt

#### **!** WARNING

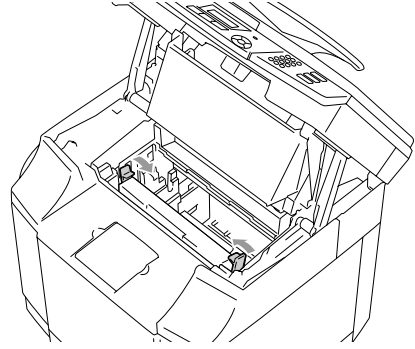
- Do not touch the green film of the OPC belt cartridge. If you touch it, it could degrade print quality.
- Do not expose the OPC belt cartridge to bright room light or sunlight (a light source of 74.3 footcandles or 800 lux) for more than two minutes to avoid damaging the belt.
- Damage caused by improper handling of the OPC belt cartridge may void your warranty.

### Replacing the OPC belt cartridge (OP-4CL)

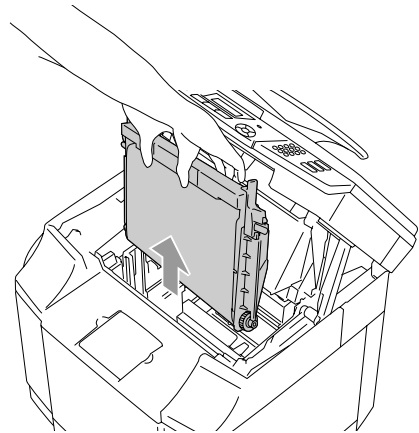
- 1 Turn off the machine's power switch.
- 2 Open the scanner unit.
- 3 Open the inside cover so that it latches under the scanner unit.



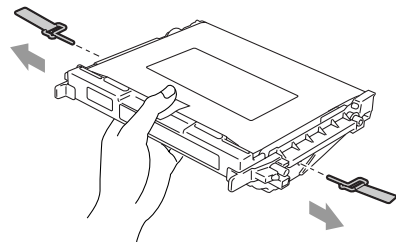
- 4 To release the lock, push the green belt cartridge lock levers on both sides inwards.



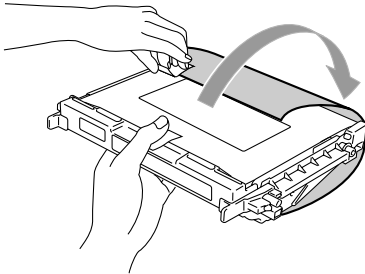
- 5 Remove the OPC belt cartridge from the machine.



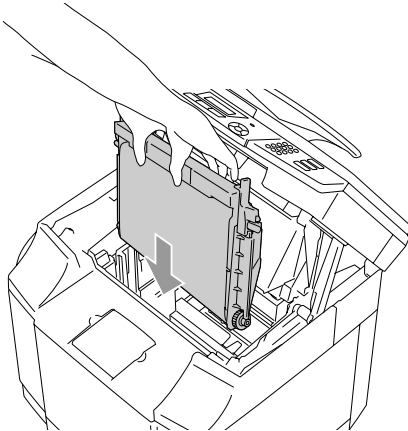
- 6 Remove the tension release pins from both sides of the new OPC belt cartridge.



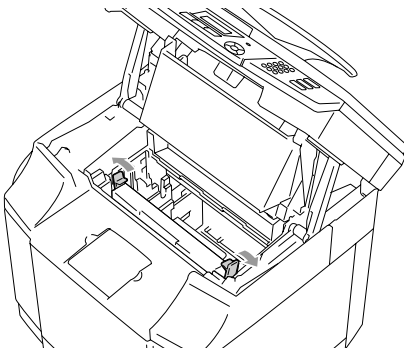
- 7 Remove the protective sheet from the new OPC belt cartridge. Do not touch the green part of the OPC belt cartridge.



- 8 Put the new OPC belt cartridge into the machine guides with the flat side facing you.



- 9 To lock the cartridge into the machine, push the belt cartridge lock levers that are on both sides of the OPC belt cartridge outwards.



- 10 Close the inside cover, and then close the scanner unit.
- 11 Turn the machine's power switch back on.

### Reset the OPC belt life counter

- 1 Press **Menu/Set**, **7**, **4**.
- 2 Press **▲** or **▼** to select **OPC Belt** and press **Menu/Set**.

The confirmation message appears on the LCD.

```
OPC Belt  
1.Reset 2.Exit
```

- 3 Press **1** to reset the life counter.  
—OR—  
Press **2** to cancel.