

# D

## Optional accessories

### Optional accessories

#### Lower tray unit (LT-27CL)

See *Lower tray unit (LT-27CL)* on page D-1.

#### SO-DIMM memory

See *SO-DIMM (Memory)* on page D-3.

### Lower tray unit (LT-27CL)

The lower tray unit (Tray 2) is an optional device that can hold up to 530 sheets of extra paper (20 lb (80 g/m<sup>2</sup>)). You can put Letter, A4, B5 (JIS and ISO) or Executive size (176 x 250 to 215.9 x 297 mm) paper in this tray.

#### How to install the lower tray unit

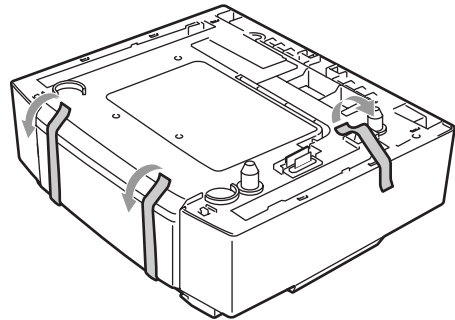
##### WARNING

- This machine is heavy and weighs approximately 67.2 lb (30.5 kg). To prevent injuries, use at least two people to lift the machine.
- When you lift the machine make sure you use the handholds at the bottom four corners of the machine.
- When placing the machine on top of the lower tray unit, be careful not to catch your fingers between them.
- Do not carry the machine when the lower tray unit is attached.

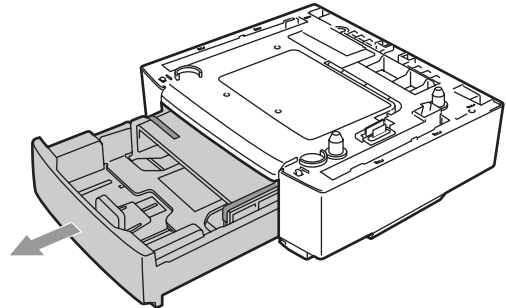
##### CAUTION

When moving or lifting this machine, keep the machine flat. To avoid spills, you must first remove the toner cartridges and waste toner pack.

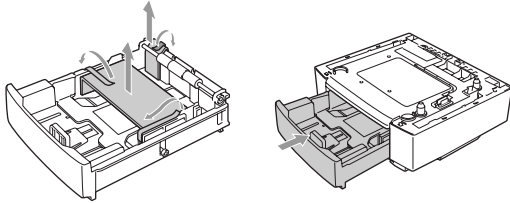
- 1 Turn off the machine's power switch. Then, unplug the telephone line cord from the telephone wall jack.
- 2 Unplug the power cord from the AC power outlet. Disconnect the interface cable from the machine.
- 3 Place the lower tray unit on a flat table, and then remove the protective parts.



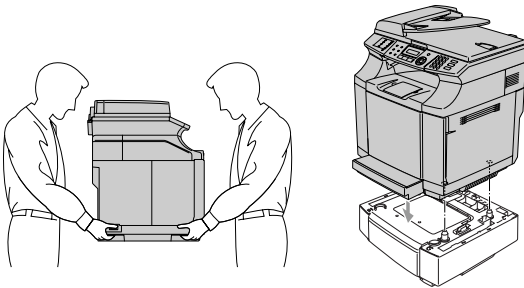
- 4 Remove the paper tray from the lower tray unit.



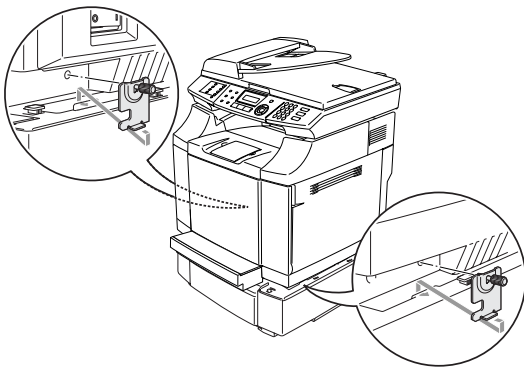
- 5** Remove the protective parts and then put the paper tray back in the lower tray unit.



- 6** Check the two alignment pins on the lower tray unit. Use two people to lift the machine and place it on top of the lower tray unit. Make sure you use the handholds at the bottom four corners of the machine. Check that the pins are properly inserted into the machine. Check that the connector is inserted.

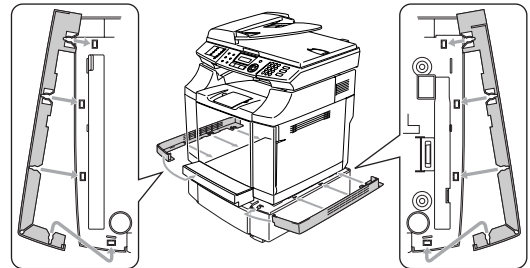


- 7** Install the two stopper fittings on the right and left hand sides of the lower tray unit.



- 8** Cover the gap on the right hand side with the right-hand side cover by first inserting the hook at the back. Cover the gap on the left hand side with the left-hand side cover by first inserting the hook at the back.

Close both of the side covers by putting the notch over the hook of the lower tray unit.



- 9** To level the machine, adjust the feet of the lower tray unit at the front and back on the right-hand side. Turn the feet to move them up or down until they touch the work surface and the tray unit is level.

Turn the lock screw on each foot to secure it.

